



**Best Diversified Products Ltd.**

**Best/Flex Gravity Expandable Conveyor  
B/F 200 & B/F 300 Series**

**Product Manual**



Best Diversified Products Ltd.  
Brunel Road,  
Earlstrees Industrial Estate  
Corby, Northants. NN17 4JW  
Tel: +44(0) 1536 206969  
Fax: +44(0) 1536 206805  
[www.bestconveyors.co.uk](http://www.bestconveyors.co.uk)  
[info@bestconveyors.co.uk](mailto:info@bestconveyors.co.uk)

## **Contents**

- Safety information
- Standard product specifications
- Installation & operating instructions
- Maintenance procedures & troubleshooting
- BF200 layout drawing
- BF200 parts list
- BF300 layout drawing
- BF300 parts list
- Optional extras

## **Safety information**

- Move the conveyor using the handles provided at each end only.
- When expanding or compacting the conveyor: keep hands, clothing and other items clear of the side plates.
- Do not exceed the conveyor load capacity, as this may result in possible operator injury and/or damage to the conveyor.
- Avoid wearing excessively loose clothing and keep long hair tied back when working with moving equipment.
- Broken or worn parts must be replaced immediately.
- Best conveyors are to be serviced by trained personnel only.

## Standard features

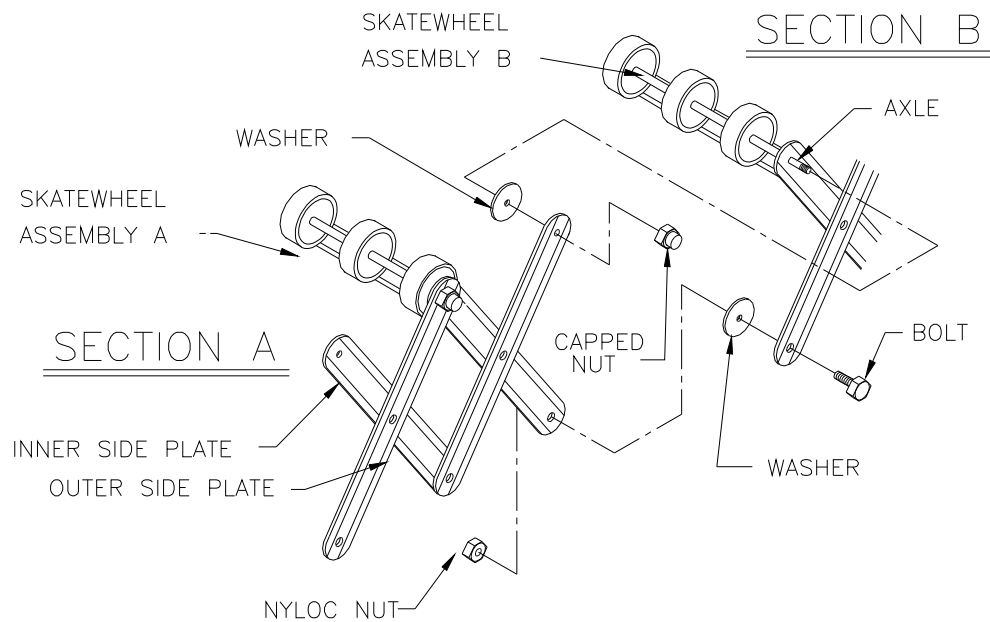
Best gravity conveyors are constructed to the following standard specifications

|                                | <b>BF200 Series</b>  | <b>BF300 Series</b> |
|--------------------------------|--|---------------------|
| Conveyor bed width             | 457mm (18"), 610mm (24") & 762mm (30")   |                     |
| Load capacity per linear metre | 300kg  | 446kg               |
| Skatewheels per axle           | 457mm (18")  | 7                   |
|                                | 610mm (24")  | 9                   |
|                                | 762mm (30")  | 10                  |
| Castors                        | 127mm x 32mm (5" x 1 ¼") braked & non braked swivel castors with rubber tyres. |                     |
| Adjustable height range        | 700mm - 1000mm (27 ½" - 39 ¼")   |                     |
| Expansion to compaction ratios |  |                     |
| 127mm (5") axle pitch          | 4.0:1  | 3.3:1               |
| 102mm (4") axle pitch          | 3.2:1  | 2.7:1               |
| 76mm (3") axle pitch           | 2.4:1  | 2.0:1               |

**For custom applications, contact your area sales representative, or consult the factory.**

## Installation & operating instructions

- Remove all packaging from the conveyor.
- Unlock the castors and move the conveyor to the working area and lock the castors when conveyor is in place.
- If the conveyor was shipped in two or more sections they will need to be reconnected. Please follow connecting instructions below:
  - Remove capped nut from axle of roller assembly 'b' (both sides).
  - Remove bolt, nylatron washer and nyloc nut from lower side plate of section 'a'.
  - Roll section 'a' and section 'b' together making sure the outer side plates are on the outside and inner side plates are on the inside (both sides).
  - Slide the axle of skatewheel assembly 'b' back and forth to connect section 'a' top side plate to section 'b' top side plate (both sides). Replace capped nut on skatewheel assembly axle and hand tighten only.
  - Connect section 'a' bottom side plate to section 'b' bottom side plate using the fixings removed in step 2 (both sides). *Note:* plastic nylatron washer must go in between side plates as shown in fig. 1
  - Tighten capped nut on top side plate and nyloc nut on bottom side plate (both sides).



- The legs are adjustable from 700mm to 1000mm (27 ½" to 39 ¼") and are factory set to 700mm. For proper gravity flow a decline of 26mm per expanded metre (5/16" per expanded foot) is recommended. This may vary according to product weight and application.
- To expand the conveyor
  - Unlock the castors
  - Using the handles at each end pull the conveyor until it is expanded to the required length
  - Lock the castors
- To set leg heights
  - With the conveyor expanded, unscrew the adjustment knobs on the first leg set – infeed end. Lift conveyor to the required height. Tighten adjustment knobs.
  - Do the same to the last leg set – discharge end.
  - Adjust all intermediate leg sets to obtain proper gravity flow.
  - Close conveyor and check for evenness of skatewheels re-adjust legs as necessary.

## Maintenance procedures

Best conveyors are virtually maintenance free. However we do recommend the following:

### Daily

- Keep the conveyor free of dirt, debris & grease accumulation.
- Inspect leg elevations and adjust as necessary.
- Look for mechanical damage and worn components and replace as necessary.

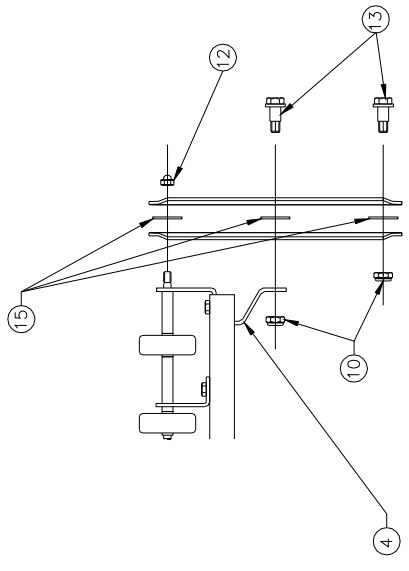
### Monthly

- Check to ensure all nuts & bolts are moderately tight.

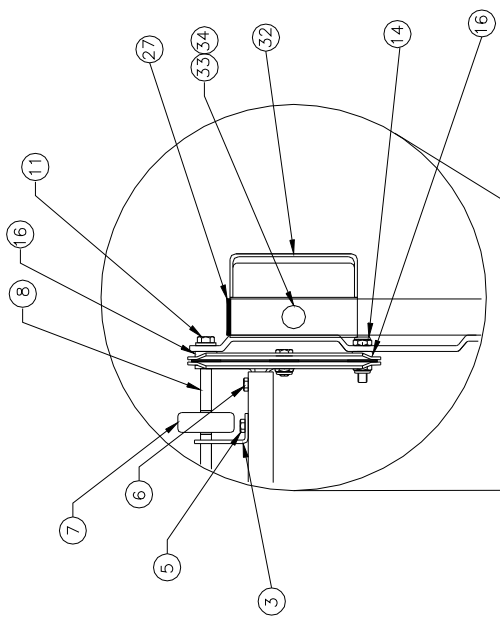
**Caution:** do not over tighten as this may cause frame distortion and prevent the conveyor from properly flexing.

### Troubleshooting

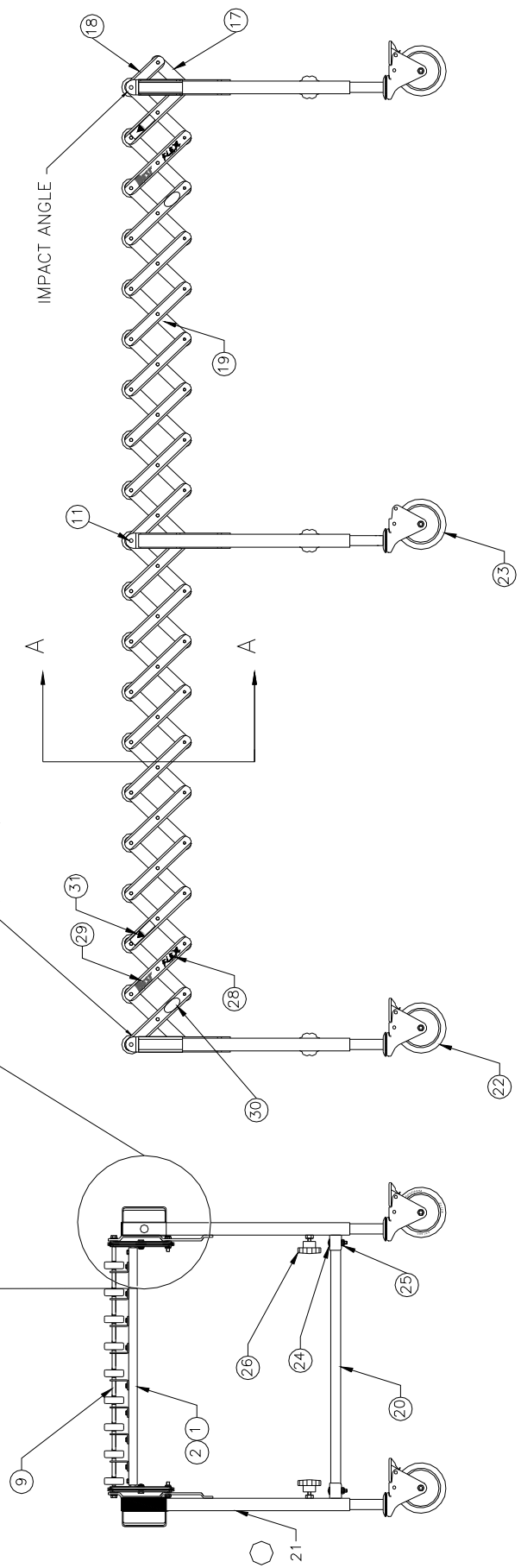
| Symptom   | Possible cause                              | Recommended action                             |
|---|---|--|
| Conveyor does not open or run smoothly              | Castors are locked or clogged with debris   | Check castors and unlock or clear as necessary |
|   | Bolts and nuts have been over tightened     | Check bolt tension slacken off as required     |
|   | Conveyor has suffered physical damage       | Check unit and replace damaged parts           |
| Product stops on conveyor or does not flow smoothly | Leg elevations are out of height adjustment | Re-adjust legs to the correct height settings  |
|   | Skatewheels are jammed                      | Check and clear debris as necessary            |
|   | Conveyor has suffered physical damage       | Check unit and replace damaged parts           |



SECTION A-A



IMPACT ANGLE



CONVEYOR SHOWN BF200-24-08-ST5

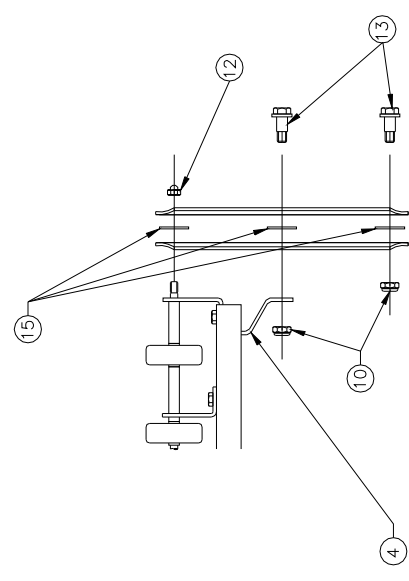
BEST/FLEX 200 SERIES



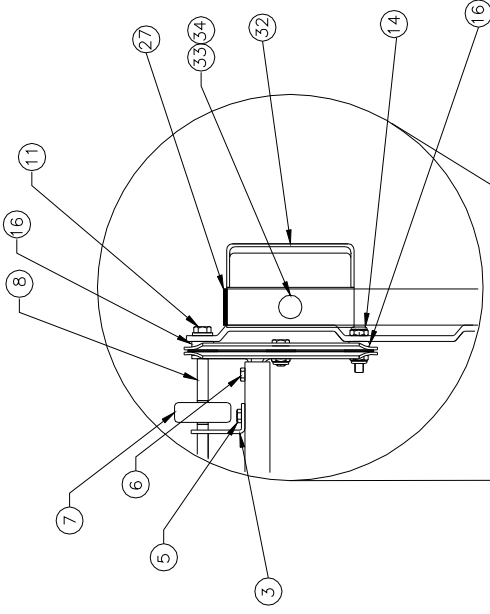
## Parts list

### BF200 series gravity conveyor

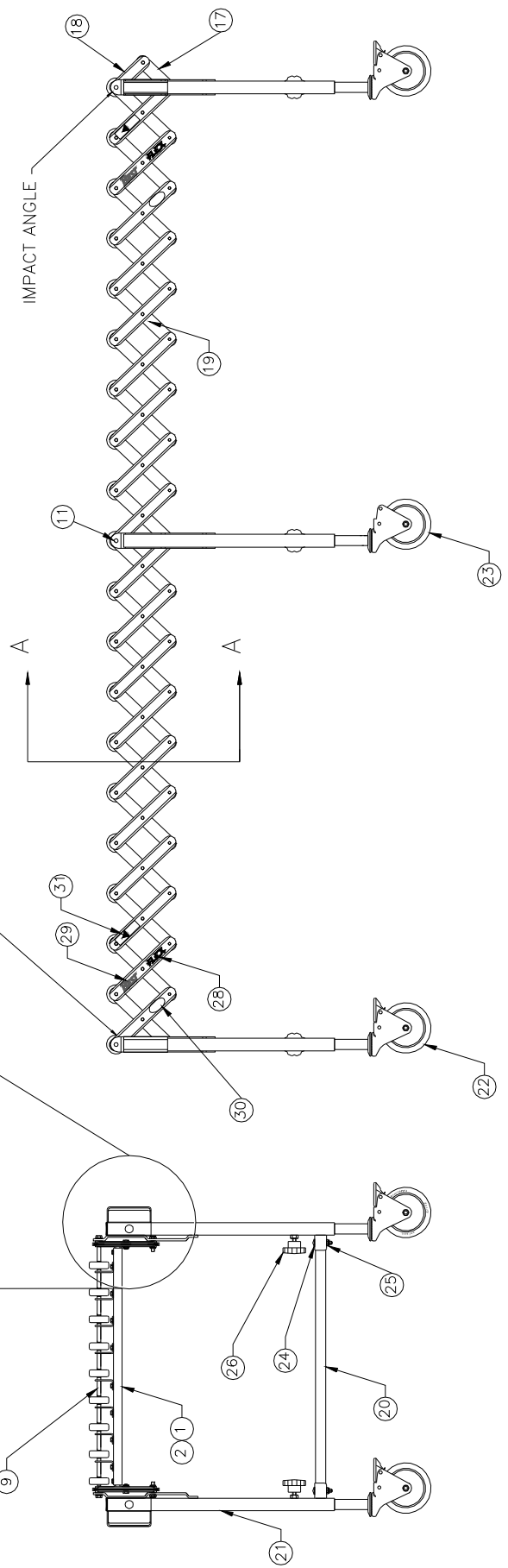
| Item | Part no.    | Description   |
|------|-------------|---|
| 1    | 100131      | Axle support bf 457mm impact                                |
|      | 100132      | Axle support bf 610mm impact                                |
|      | 100133      | Axle support bf 762mm impact                                |
| 2    | 100013      | Axle support bf 457mm                                       |
|      | 100014      | Axle support bf 610mm                                       |
|      | 100015      | Axle support bf 762mm                                       |
| 3    | 100016      | Axle support bracket BF                                     |
| 4    | 100066      | End clip BF   |
| 5    | 500049      | Screw 1/4" unc x 3/4" hex head                              |
| 6    | 500058      | Screw Lh s/t  |
| 7    | 100115      | Blue plastic skatewheel                                     |
|      | 100116      | Steel skatewheel  |
| 8    | 100001      | Axle BF 457mm   |
|      | 100002      | Axle BF 610mm   |
|      | 100003      | Axle BF 762mm   |
| 9    | 100119      | Spacer bkpy 2.1875" x 0.375" x 0.265" (762mm units)         |
|      | 100120      | Spacer bkpy 1.438" x 0.375" x 0.265" (610mm units)          |
|      | 100121      | Spacer bkpy 1.875" x 0.375" x 0.265" ( 610mm & 762mm units) |
|      | 100122      | Spacer bkpy 1.7625" x 0.375" x 0.265" (457mm units)         |
| 10   | 500029      | Nut-half 5/16" unc nyloc                                    |
| 11   | 500023      | Nut-lock 1/4" unc capped + shd                              |
| 12   | 500022      | Nut-half 1/4" unc capped nyloc                              |
| 13   | 500007      | Bolt 5/16" unc x 7/8" washered hex. Head                    |
| 14   | 500003      | Bolt 5/16" unc x double shd                                 |
| 15   | 100128      | Nylatron washer   |
| 16   | 100123      | Spacer/washer   |
| 17   | 100109      | BF200 lower side plate                                      |
| 18   | 100108      | BF200 upper side plate                                      |
| 19   | 100111      | BF200 side plate  |
| 20   | 400037/0520 | BF leg cross tie 457mm                                      |
|      | 400037/0663 | BF leg cross tie 610mm                                      |
|      | 400037/0806 | BF leg cross tie 762mm                                      |
| 21   | 440001/0508 | Bf leg 127mm pitch x 508mm long                             |
| 22   | 110001      | Castor & stem 127 x 38 x 457 braked                         |
| 23   | 110002      | Castor & stem 127 x 38 x 457 non braked                     |
| 24   | 500019      | Bolt-coach 5/16" x 1 3/4" full thread                       |
| 25   | 500028      | Nut-full 5/16" unc nyloc                                    |
| 26   | 500118      | Knob-leg adjuster M10                                       |
| 27   | 100074      | Leg cap 1 1/4" sq   |
| 28   | 700006      | Decal 'flex' (blue)   |
| 29   | 700002      | Decal 'best' (blue)   |
| 30   | 700008      | Decal 'made in the UK'                                      |
| 31   | 700012      | Decal 'warning' (trap potential)                            |
| 32   | 100067      | Handle – leg frame  |
| 33   | 500018      | Bolt coach. 3/8" unc x 2" full thread                       |
| 34   | 500027      | Nut 3/8" unc serrated flange                                |



SECTION A-A



IMPACT ANGLE



A

A

IMPACT ANGLE

CONVEYOR SHOWN BF300-24-08-ST5

BEST/FLEX 300 SERIES

## Parts list

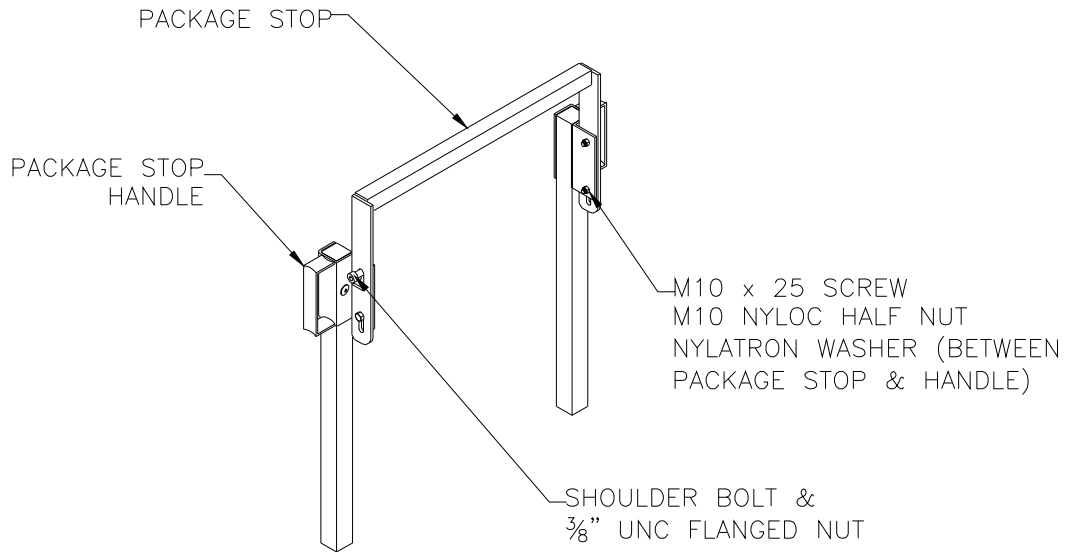
### BF300 series gravity conveyor

| Item | Part no.    | Description   |
|------|-------------|---|
| 1    | 100131      | Axle support bf 457mm impact                                |
|      | 100132      | Axle support bf 610mm impact                                |
|      | 100133      | Axle support bf 762mm impact                                |
| 2    | 100013      | Axle support bf 457mm                                       |
|      | 100014      | Axle support bf 610mm                                       |
|      | 100015      | Axle support bf 762mm                                       |
| 3    | 100016      | Axle support bracket BF                                     |
| 4    | 100066      | End clip BF   |
| 5    | 500049      | Screw 1/4" unc x 3/4" hex head                              |
| 6    | 500058      | Screw Lh s/t  |
| 7    | 100115      | Blue plastic skatewheel                                     |
|      | 100116      | Steel skatewheel  |
| 8    | 100001      | Axle BF 457mm   |
|      | 100002      | Axle BF 610mm   |
|      | 100003      | Axle BF 762mm   |
| 9    | 100119      | Spacer bkpy 2.1875" x 0.375" x 0.265" (762mm units)         |
|      | 100120      | Spacer bkpy 1.438" x 0.375" x 0.265" (610mm units)          |
|      | 100121      | Spacer bkpy 1.875" x 0.375" x 0.265" ( 610mm & 762mm units) |
|      | 100122      | Spacer bkpy 1.7625" x 0.375" x 0.265" (457mm units)         |
| 10   | 500029      | Nut-half 5/16" unc nyloc                                    |
| 11   | 500023      | Nut-lock 1/4" unc capped + shd                              |
| 12   | 500022      | Nut-half 1/4" unc capped nyloc                              |
| 13   | 500007      | Bolt 5/16" unc x 7/8" washered hex. Head                    |
| 14   | 500003      | Bolt 5/16" unc x double shd                                 |
| 15   | 100128      | Nylatron washer   |
| 16   | 100123      | Spacer/washer   |
| 17   | 100104      | BF300 lower side plate                                      |
| 18   | 100105      | BF300 upper side plate                                      |
| 19   | 100107      | BF300 side plate  |
| 20   | 400037/0520 | BF leg cross tie 457mm                                      |
|      | 400037/0663 | BF leg cross tie 610mm                                      |
|      | 400037/0806 | BF leg cross tie 762mm                                      |
| 21   | 440001/0508 | BFleg 127mm pitch x 508mm long                              |
| 22   | 110001      | Castor & stem 127 x 38 x 457 braked                         |
| 23   | 110002      | Castor & stem 127 x 38 x 457 non braked                     |
| 24   | 500019      | Bolt-cch 5/16" x 1 3/4" full thread                         |
| 25   | 500028      | Nut-full 5/16" unc nyloc                                    |
| 26   | 500118      | Knob-leg adjuster m10                                       |
| 27   | 100074      | Leg cap 1 1/4" sq   |
| 28   | 700006      | Decal 'flex' (blue)   |
| 29   | 700002      | Decal 'best' (blue)   |
| 30   | 700008      | Decal 'made in the UK'                                      |
| 31   | 700012      | Decal 'warning' (trap potential)                            |
| 32   | 100067      | Handle – leg frame  |
| 33   | 500018      | Bolt coach. 3/8" unc x 2" full thread                       |
| 34   | 500027      | Nut 3/8" unc serrated flange                                |

## Optional extras

### Package stop assembly

The package stop fits to the discharge end of the conveyor, and can be raised to prevent packages from falling off, or folded down when not in use.

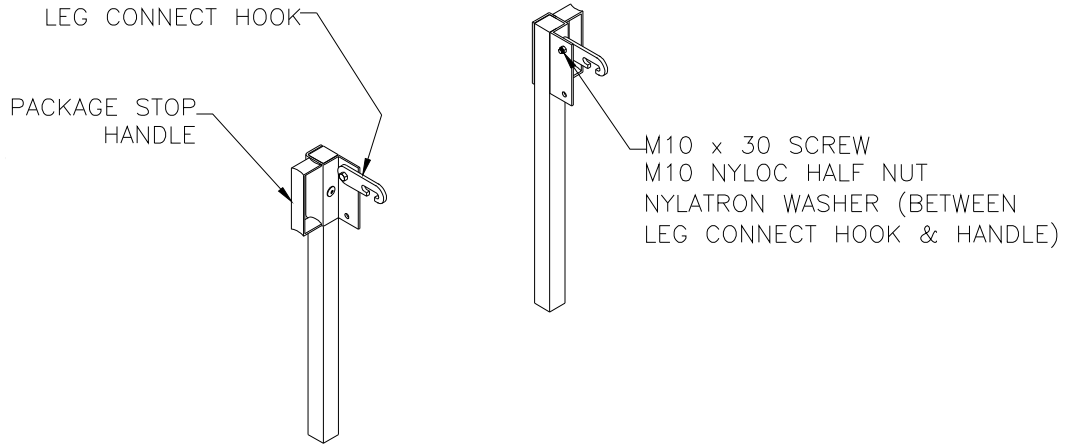


### Package stop assemblies

- 600011 457mm wide conveyor
- 600012 610mm wide conveyor
- 600014 762mm wide conveyor

## Leg connect hooks

The leg connect hook assembly enables 2 or more conveyors to be connected together quickly and easily, without the need for any tools.



## Leg connect hook assembly

Part number: 600010

**Leg connect assembly** (without hooks, required for the connecting end of the second conveyor)

Part number: 600030