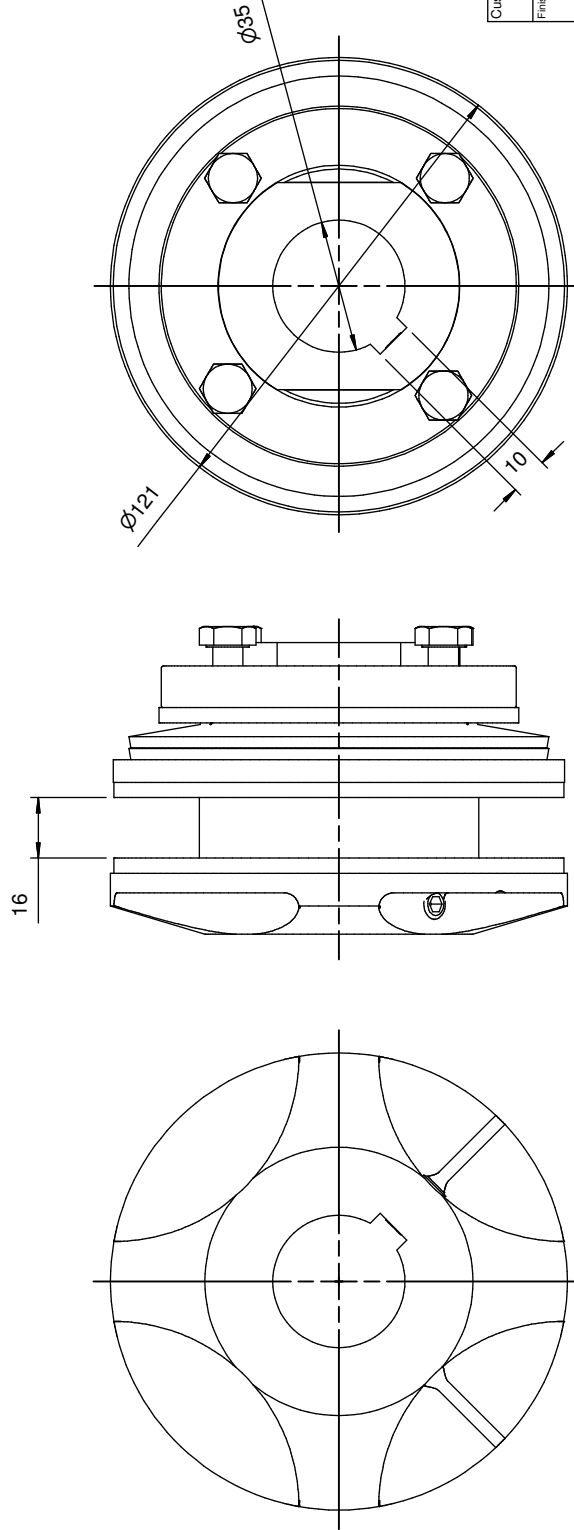
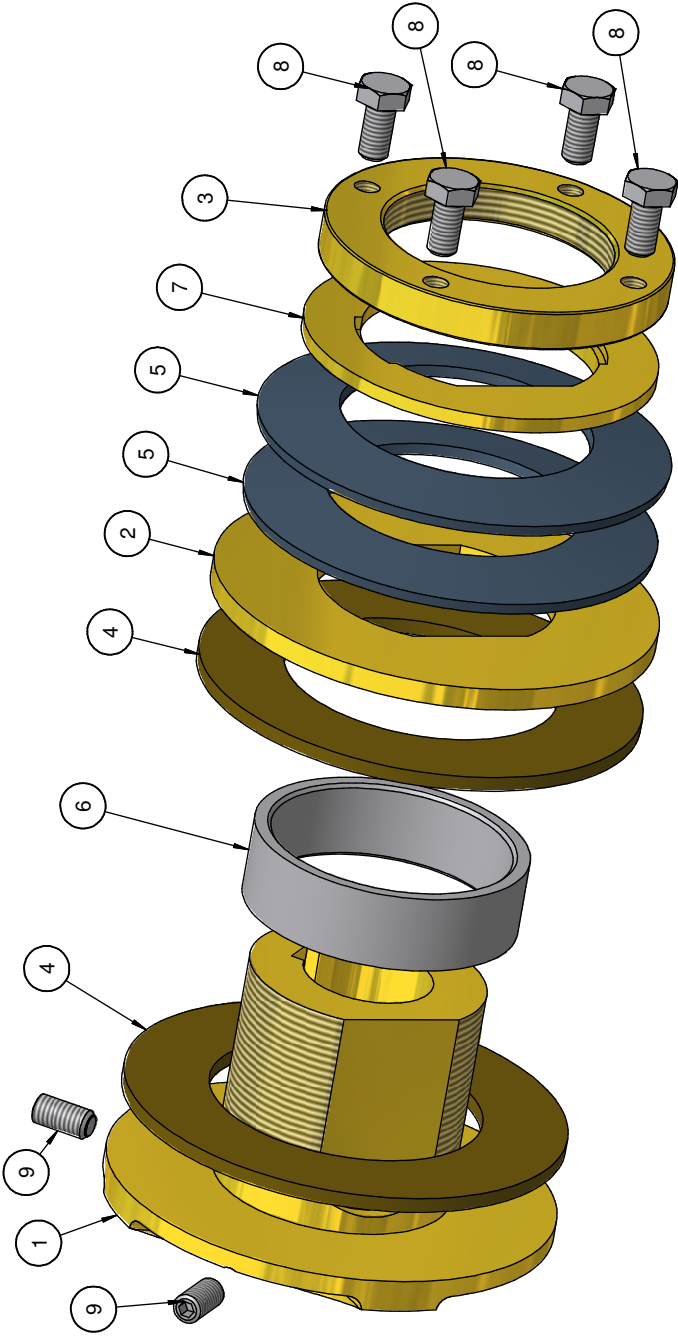


Parts List	
ITEM	DESCRIPTION
1	MAIN BODY
2	PRESSURE RING
3	ADJUSTER NUT
4	CLUTCH PLATE
5	CONICAL SPRING
6	829 BUSH
7	LOCK RING
8	M8x16 HEX HEAD SET SCREW
9	M8x16



Customer / W.O. No.	Qty.
Finish	Designing MDK
Matf.	Date 17.11.08
Scale 1:2	Rev.
Title: TL500-M2 TORQUE LIMITER	
BOUGHT AS COMPLETE UNIT	
Part No. 100512	
A4	

Best Conveyors
 Brunel Road
 Earlsmeads Industrial Estate
 Corby, Northants NN17 4JW
 Tel: +44 (0)1536 206869
 Fax: +44 (0)1536 206805
 Website: www.bestconveyors.co.uk

UNSPECIFIED TOLERANCES
 0 TO 1000 ± 0.5 mm
 1001 TO 3000 ± 1.0 mm
 3001 TO 30000 ± 2.0 mm
 GENERAL PITCH TOLERANCE = 1mm/mm
 ALL DIMENSIONS ARE IN MM UNLESS OTHERWISE STATED

This print and all information contained hereon is property of BEST CONVEYORS and shall not, wholly or in part, be copied, reproduced, or used by a third party, without expressed written consent.